

2



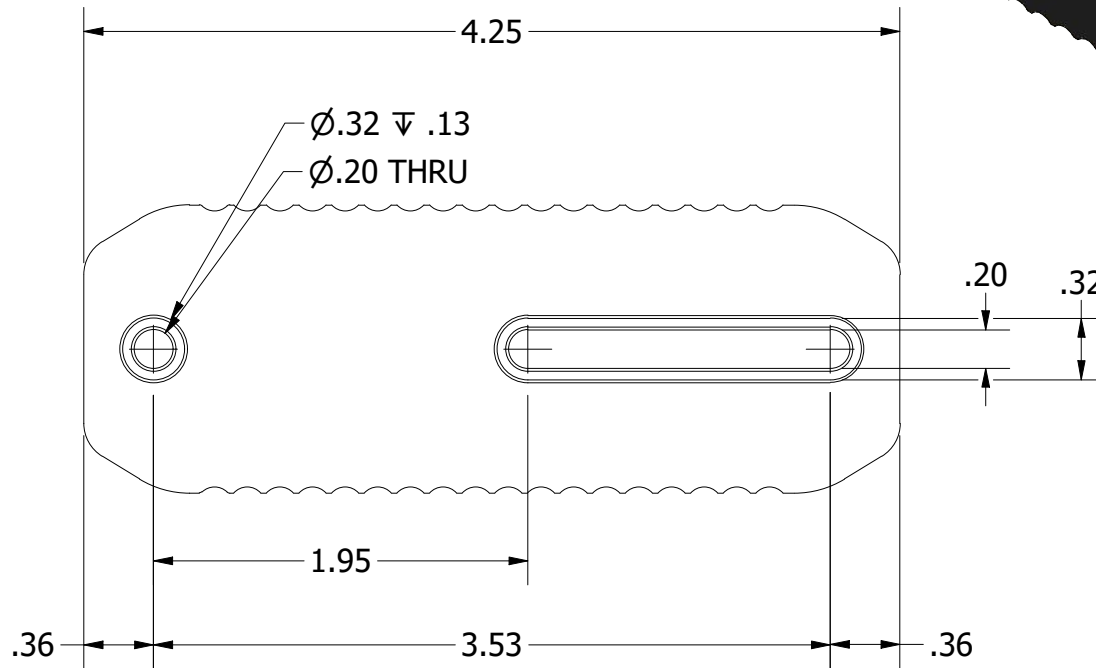
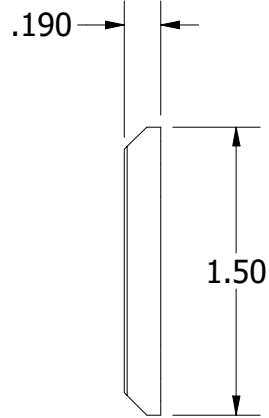
1

Notes

Ceramic media blast pre-coating

REVISION HISTORY

REV	DESCRIPTION	DATE
A	Initial Release	3/24/20



B

B

A

A

UNLESS OTHERWISE SPECIFIED DIMENSIONS ARE IN INCHES TOLERANCES ARE: FRACTIONS DECIMALS ANGLES ±1/64 XX ± .01 ±1/2 XXX ± .005	CAD GENERATED DRAWING DO NOT MANUALLY UPDATE SEE SEPARATED PARTS LIST		<b>AREA 419</b>		
	APPROVALS	DATE			
	DRAWN	jonad	3/10/2020	Universal 4" ARCALOCK Rail	
	CHECKED				
RESP ENG					
MATERIAL	6061-T6	MFG			
FINISH	Type III Black Hardcoat	QUAL			
DO NOT SCALE DRAWING					
SIZE	A	PART NO.	419-ALK-UNIV4	REV.	A
SCALE		CAD FILE:		SHEET	1 OF 1

2



1